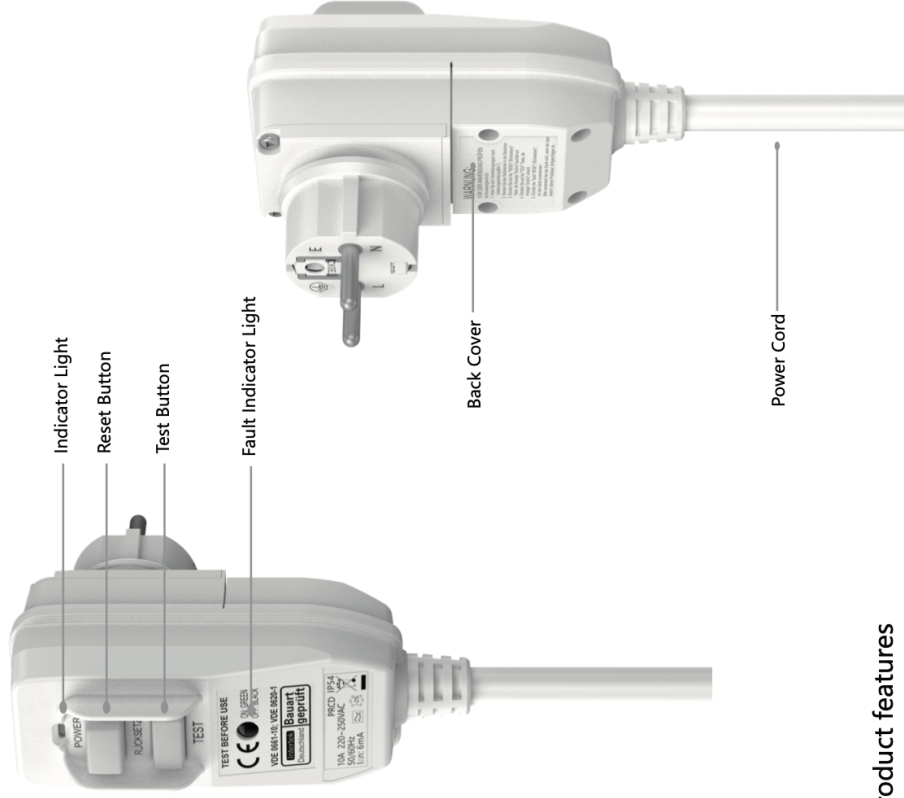


## European Standard Plug-in RCD

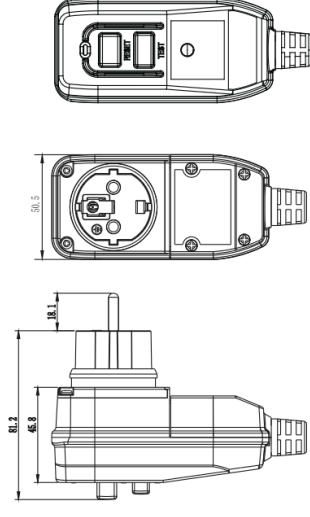
Certificates: CE-EMC, BG, CB, S, CE, 5



## Product features

- It is certified by BG, CB, S and CE, and complies with HD 639 and IEC 61540 standards.
- Made with integrated circuits and special materials, the product features high sensitivity and reliability. In the event of electric leakage or electric shock, it can automatically cut off the power supply immediately, effectively protecting electrical equipment and personal safety.
- The product is waterproof and dustproof, ensuring more reliable operation and durable performance.
- Users can perform wiring on their own.
- It complies with the latest EU environmental requirements of RoHS, PAHs and REACH.

## Product Dimensions



Width	50.5mm
Height	81.2mm

## Product Packaging

Meas: 50cm×38cm×32cm (120PCS/CTN)  
 G.W./N.W: 22/21KGS  
 1×20': 58800PCS (490CTN)  
 1×40'HQ:120960PCS (1008 CTN)

## Product Technical Specifications

Model	10-AP	10-BP	10-CP	16-AP	16-BP	16-CP
Rated Voltage	220-250V~ 50/60Hz	220-250V~ 50/60Hz	220-250V~ 50/60Hz	220-250V~ 50/60Hz	220-250V~ 50/60Hz	220-250V~ 50/60Hz
Rated Current	10A	10A	10A	16A	16A	16A
Residual Non-Operating Current	3mA	5mA	15mA	3mA	5mA	15mA
Residual Operating Current	6mA	10mA	30mA	6mA	10mA	30mA
Max Tripping	≤0.1S	≤0.1S	≤0.1S	≤0.1S	≤0.1S	≤0.1S
Operation Temperature	-25°C~+40°C	-25°C~+40°C	-25°C~+40°C	-25°C~+40°C	-25°C~+40°C	-25°C~+40°C
Protection Class	IP54	IP54	IP54	IP54	IP54	IP54
Flexible Cord	H05RR-F3G1.0mm² H05RN-F3G1.0mm² H07RN-F3G1.0mm²	H05VV-F3G1.0mm² H07RN-F3G1.0mm²	H05RR-F3G1.0mm² H05VV-F3G1.0mm² H07RN-F3G1.0mm²	H05RR-F3G1.5mm² H05VV-F3G1.5mm² H07RN-F3G1.5mm²		